

DIODE ACTION = 0.5 E⁶I²Sec

VRE-3005 5 KV

VRE-3010 10 KV

VRE-3015 15 KV

DIODE ACTION = 1.9 E⁶I²Sec

VRE-5005 5 KV

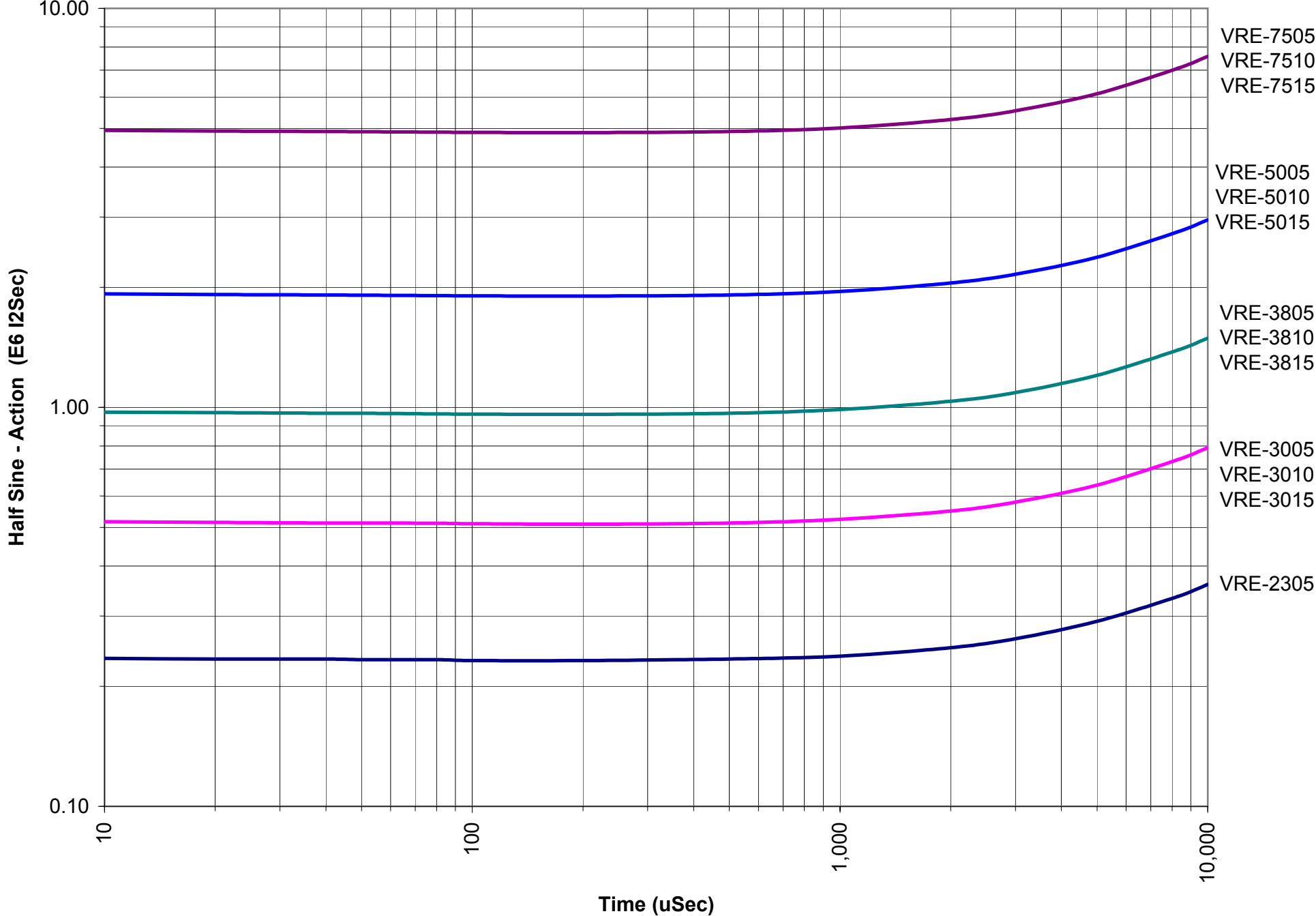
VRE-5010 10 KV

VRE-5015 15 KV

Plus : unlimited series without external components

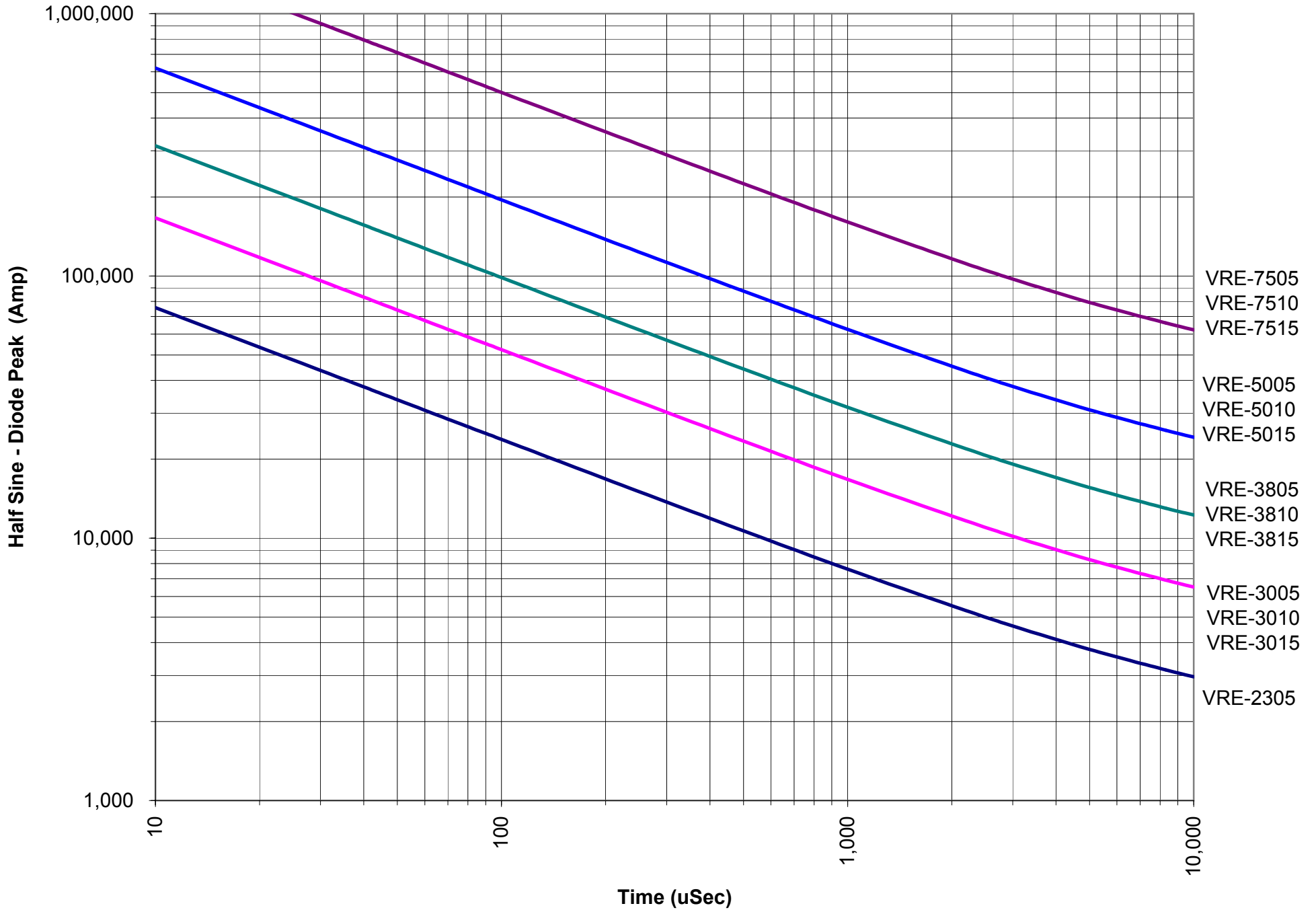
Plus : unlimited parallel without additional matching

VR ELECTRONICS CO. LTD
HALF SINE Action

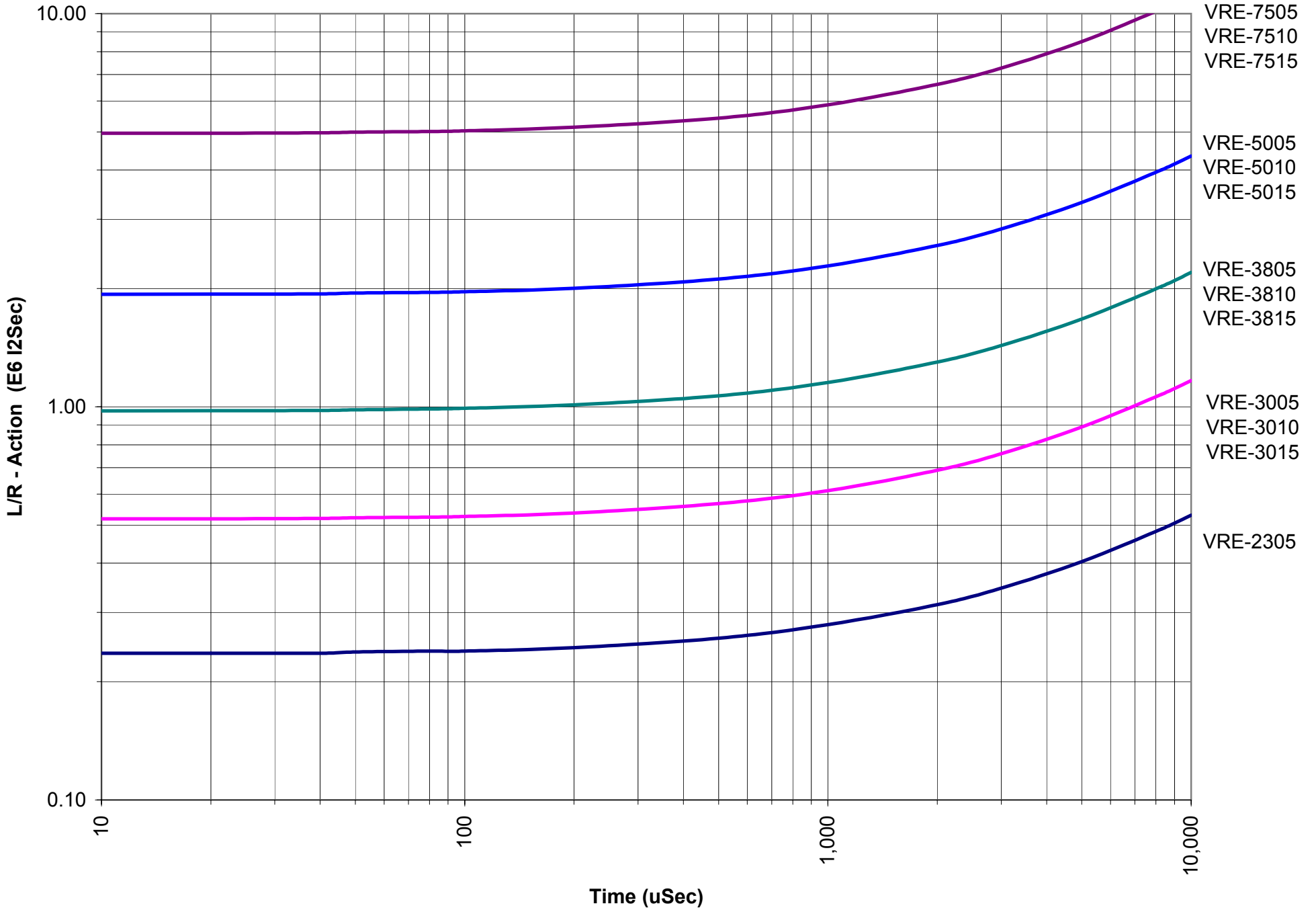


VR ELECTRONICS CO. LTD

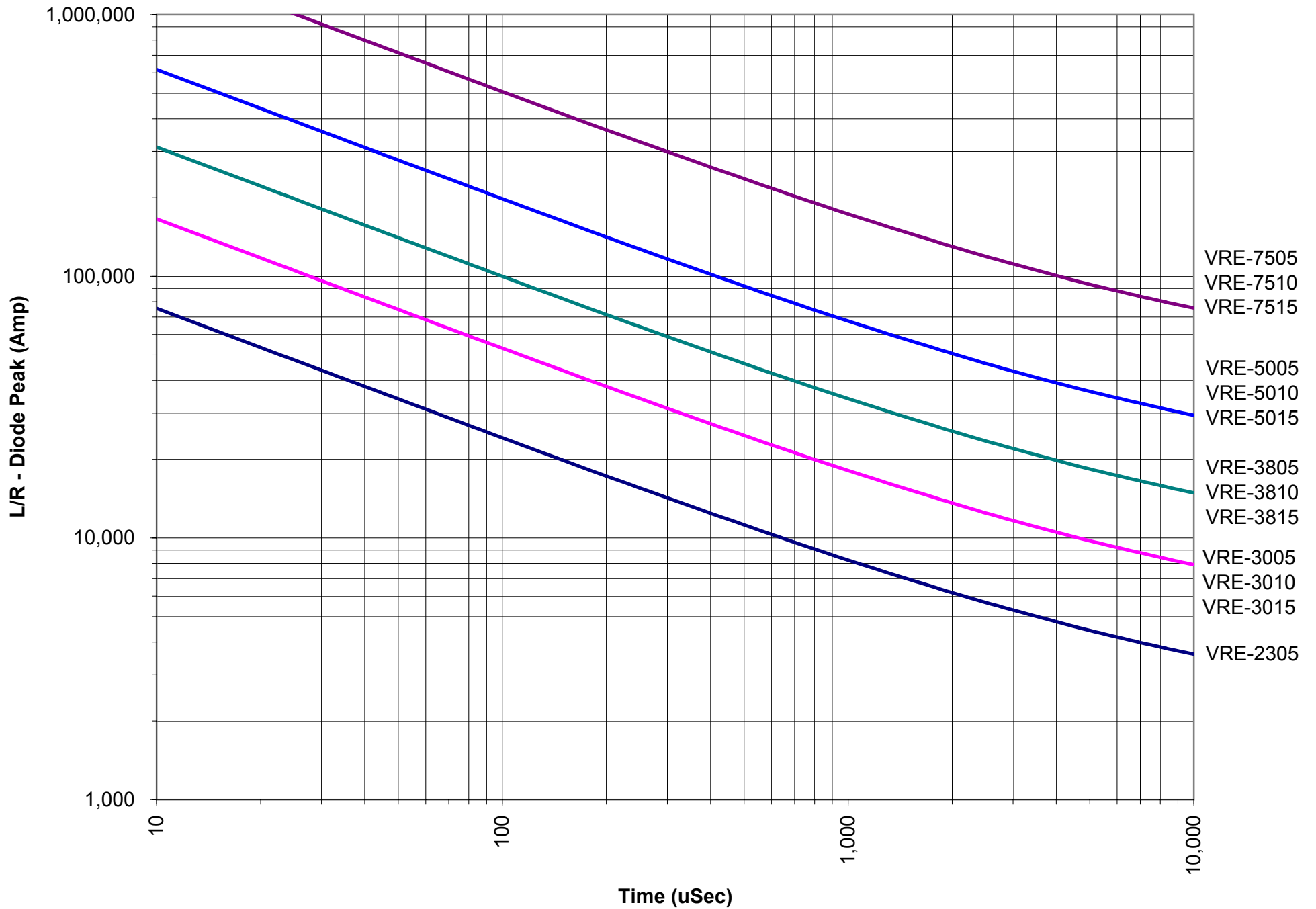
HALF SINE Peak Current



VR ELECTRONICS CO. LTD
L/R Action



VR ELECTRONICS CO. LTD
L/R Peak Current

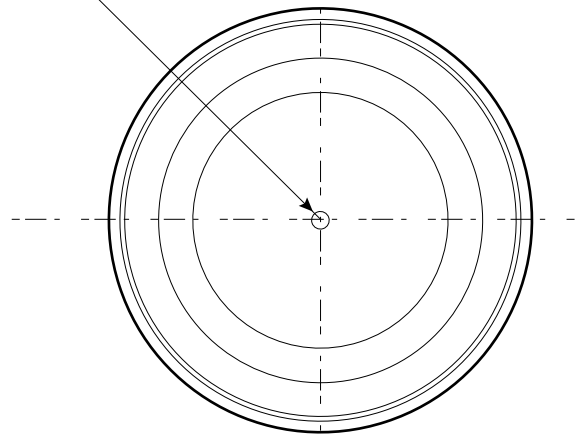


PACKAGE OUTLINE

VRE-3005 , 5 KV (V_{rrm})

V_{rrm} = max peak repetitive and DC voltage

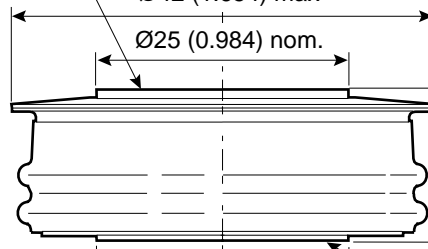
Holes in both electrode pole faces
Ø3.56 (0.140) x 2.04 (0.080) deep



Cathode

Ø42 (1.654) max

Ø25 (0.984) nom.



15.37 (0.605)
14.0 (0.551)



Ø25 (0.984) nom.

Anode

Nominal weight: 85g (0.19 lb)

Clamping force: 8.9 kN (2,000 lb)

All dimensions are in mm (inches)

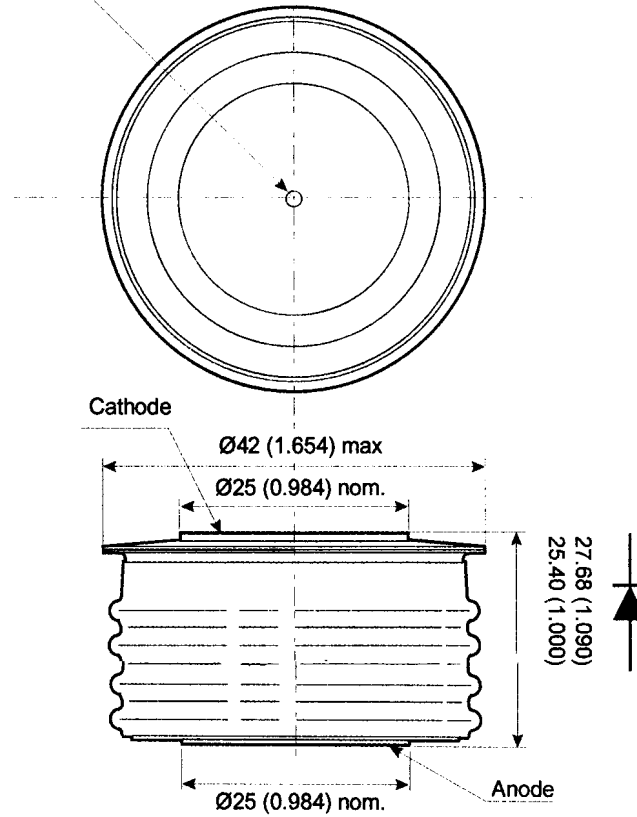
PACKAGE OUTLINE

VRE-3010 , 10 KV (V_{rrm})

VRE-3015 , 15 KV (V_{rrm})

V_{rrm} = max peak repetitive and DC voltage

Holes in both electrode pole faces
 $\varnothing 3.56$ (0.140) x 2.04 (0.080) deep



Nominal weight: 155g (0.34 lb)

Clamping force: 8.9 kN (2,000 lb)

All dimensions are in mm (inches)

PACKAGE OUTLINE

VRE-5005 , 5 KV (V_{rrm})

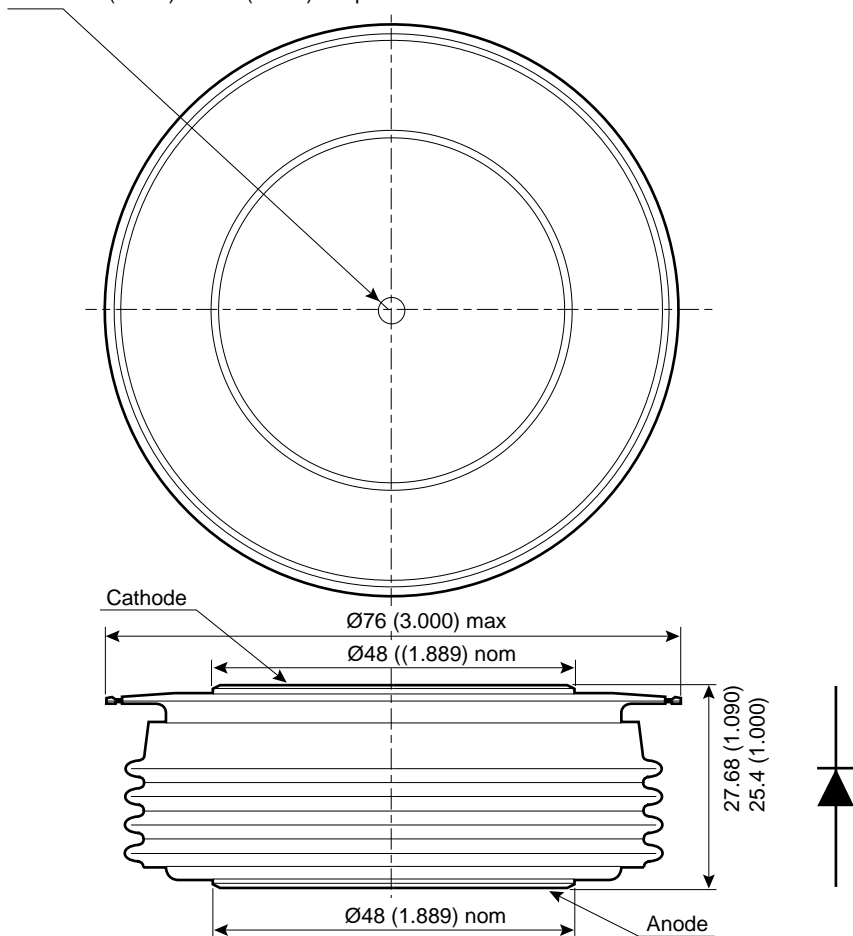
VRE-5010 , 10 KV (V_{rrm})

VRE-5015 , 15 KV (V_{rrm})

V_{rrm} = max peak repetitive and DC voltage

Holes in both electrode pole faces

Ø 3.56 (0.140) x 2.04 (0.080) deep



Nominal weight: 485g (1.07 lb)
Clamping force: 22 kN (5,000 lb) ± 10%

JEDEC outline DO-200AC

All dimensions in mm (inches)